

Original instructions

# Bjorn

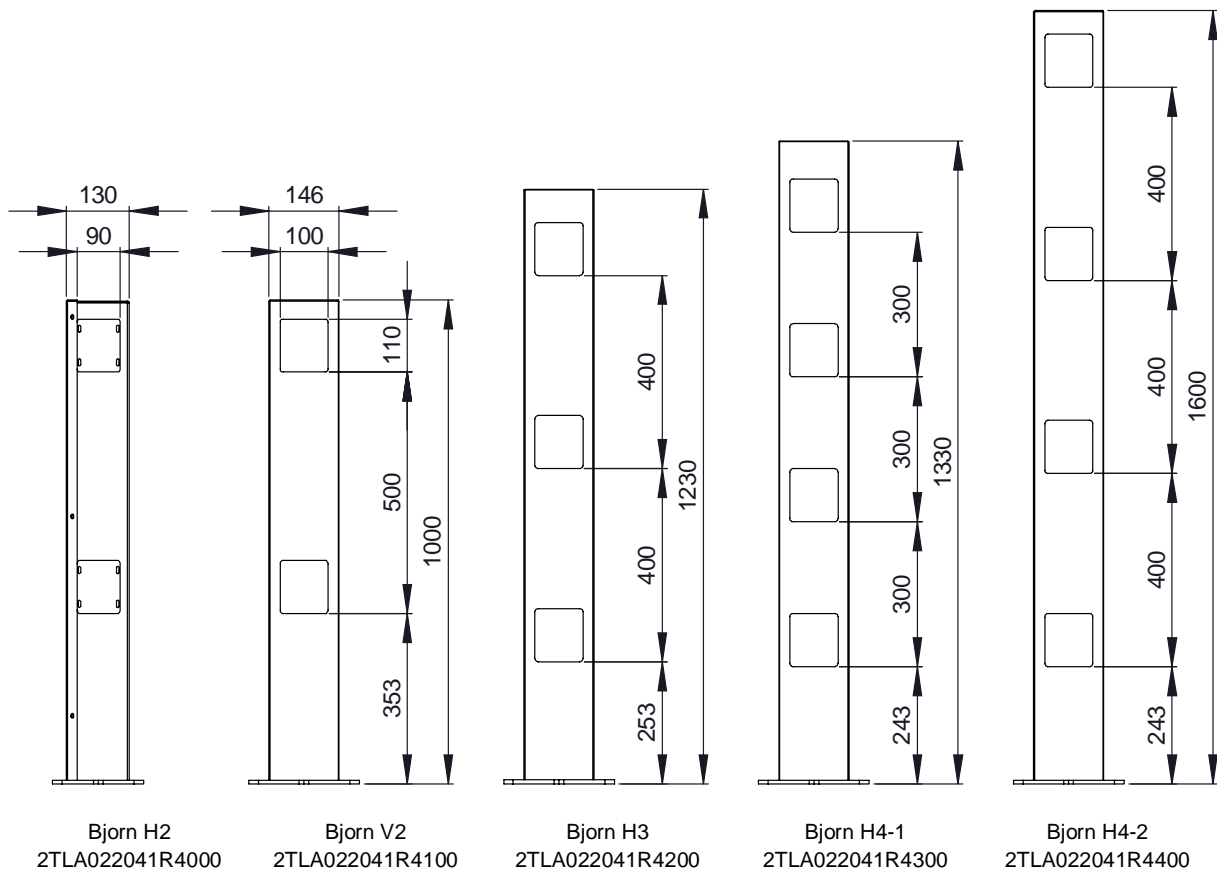
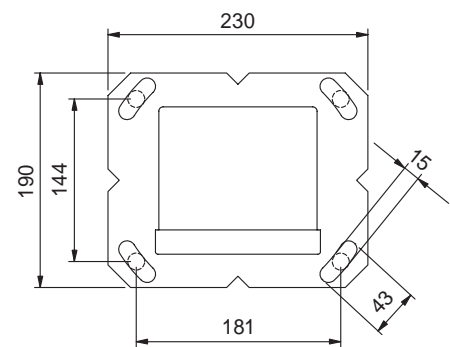
## Stand for light curtains/-grids

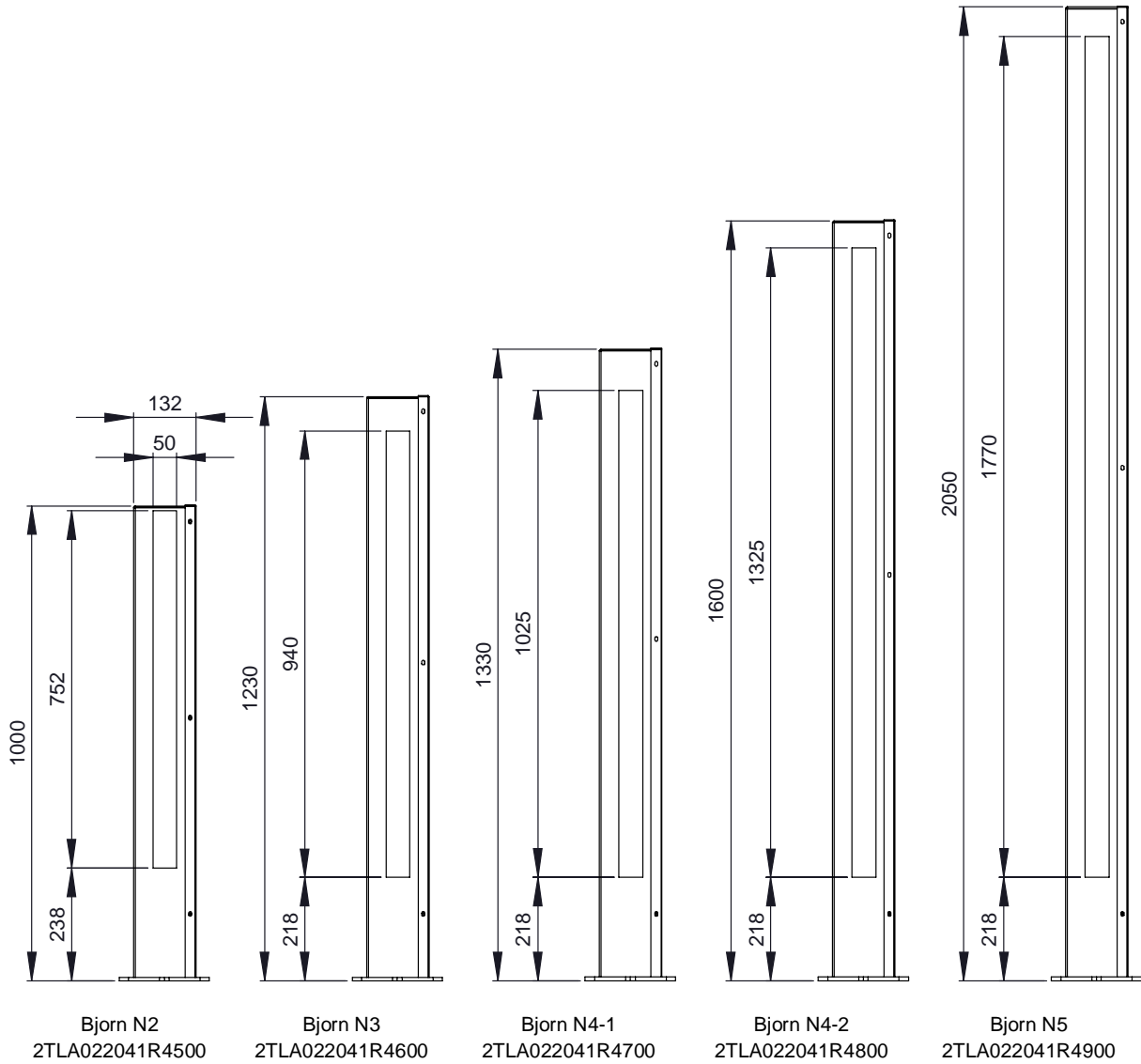
### General description

An innovation for peripheral protection application where it is necessary to protect one, two or more sides with the same barrier. The solid structure guarantees an excellent resistance to shocks and mechanical stresses in general, supplying a comfortable protection for the safety barrier.

The adjustment of the barriers as well as of the mirror is made very easy, thanks to the presence of outer screws that can be easily reached. The base has radius slotted holes and centre marks to ease the stand orthogonal positioning.

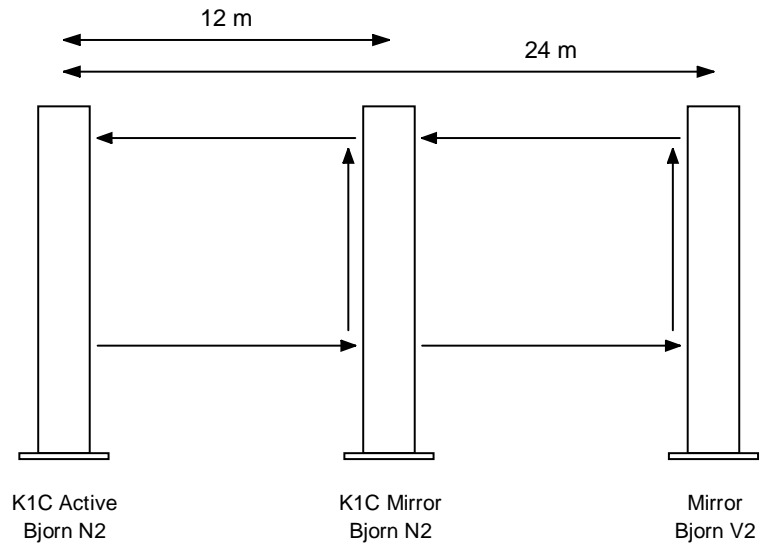
Technical data				
Weight	N2:	14 kg	H4-1:	20 kg
	H2, V2:	15 kg	N4-2:	22 kg
	N3:	17 kg	H4-2:	24 kg
	H3, N4-1:	18 kg	N5:	27 kg
Mirror reduction	≤ 10 %			
Material thickness	Metal sheet, 3 mm			
Painting	Epoxy, RAL 1018			



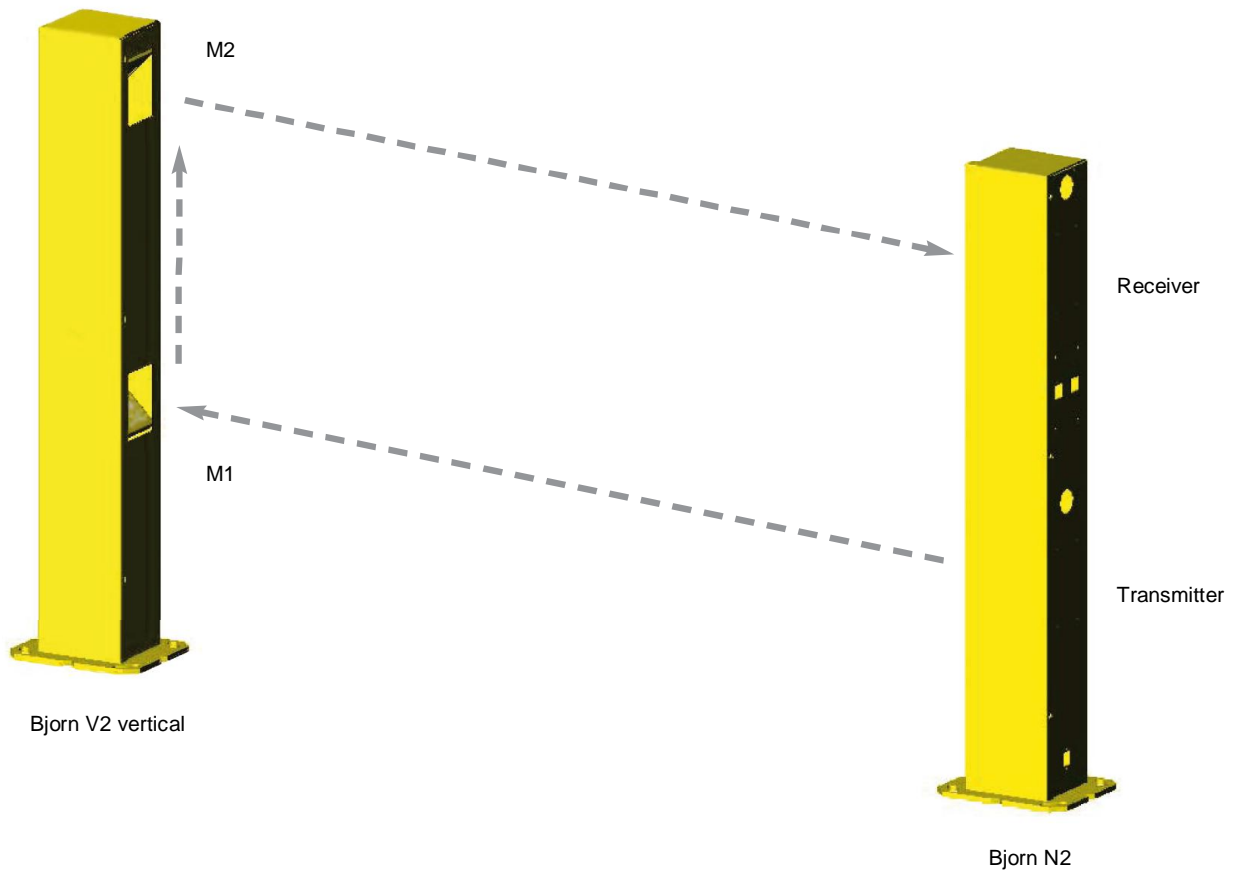


**Range increase**

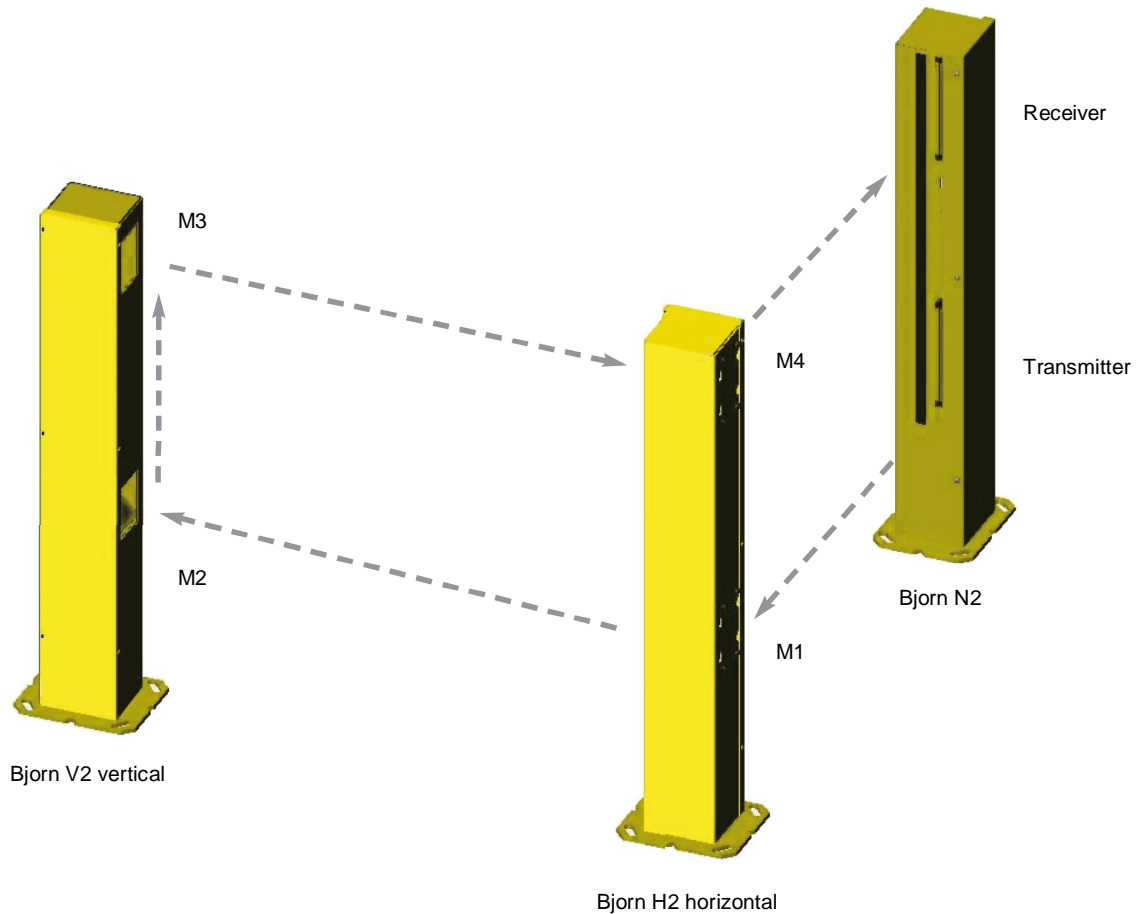
By using the Bjorn V2 mirror stand instead of the standard mirror for the FII-4-K1C-500, the range can be increased to up to 24 m.



## Mounting instructions



1. Place Bjorn N2 on preferred position and make sure that it is correctly aligned towards Bjorn V2 stand. Put a mark in the middle of the slotted holes.
2. Place Bjorn V2 and align directly towards the Bjorn N2 stand. Put a mark in the middle of the slotted holes.
3. Make sure that the stands are levelled and absolutely vertical.
4. Use the marks to drill the holes in the floor for appropriate screws. Do not tighten the screws completely.
5. Connect the cable from the cabinet and turn on the power.
6. The hex socket adjustment screws on the back of the Bjorn stands can be used to adjust the mirrors and light curtain/-grid if necessary.
7. If all is done correctly, the system should be aligned.
8. Tighten the screws and check that the outputs of the Focus II system will go to the OFF state and that the red LED 4 on the receiver will be lit wherever the beam is interrupted.



1. Place the stands on the floor. Start with Bjorn H2 stand in the corner and put a mark on the floor in the middle of the slotted holes.
2. Place Bjorn N2 on preferred position and make sure that it is correctly aligned towards Bjorn H2 stand. Mark the middle of the slotted holes.
3. Place Bjorn V2 stand perpendicular to Bjorn N2 and align directly towards the Bjorn H2 stand. Mark the middle of the slotted holes.
4. Make sure that the stands are levelled and absolutely vertical.
5. Use the marks to drill the holes in the floor for appropriate screws. Do not tighten the screws.
6. Connect the cable from the cabinet and turn on the power.
7. The hex socket adjustment screws on the back of the Bjorn stands can be used to adjust the mirrors and light curtain/-grid if necessary.
8. If all is done correctly, the system should be aligned.
9. Tighten the screws and check that the outputs of the Focus II system will go to the OFF state and that the red LED 4 on the receiver will be lit wherever the beam is interrupted.